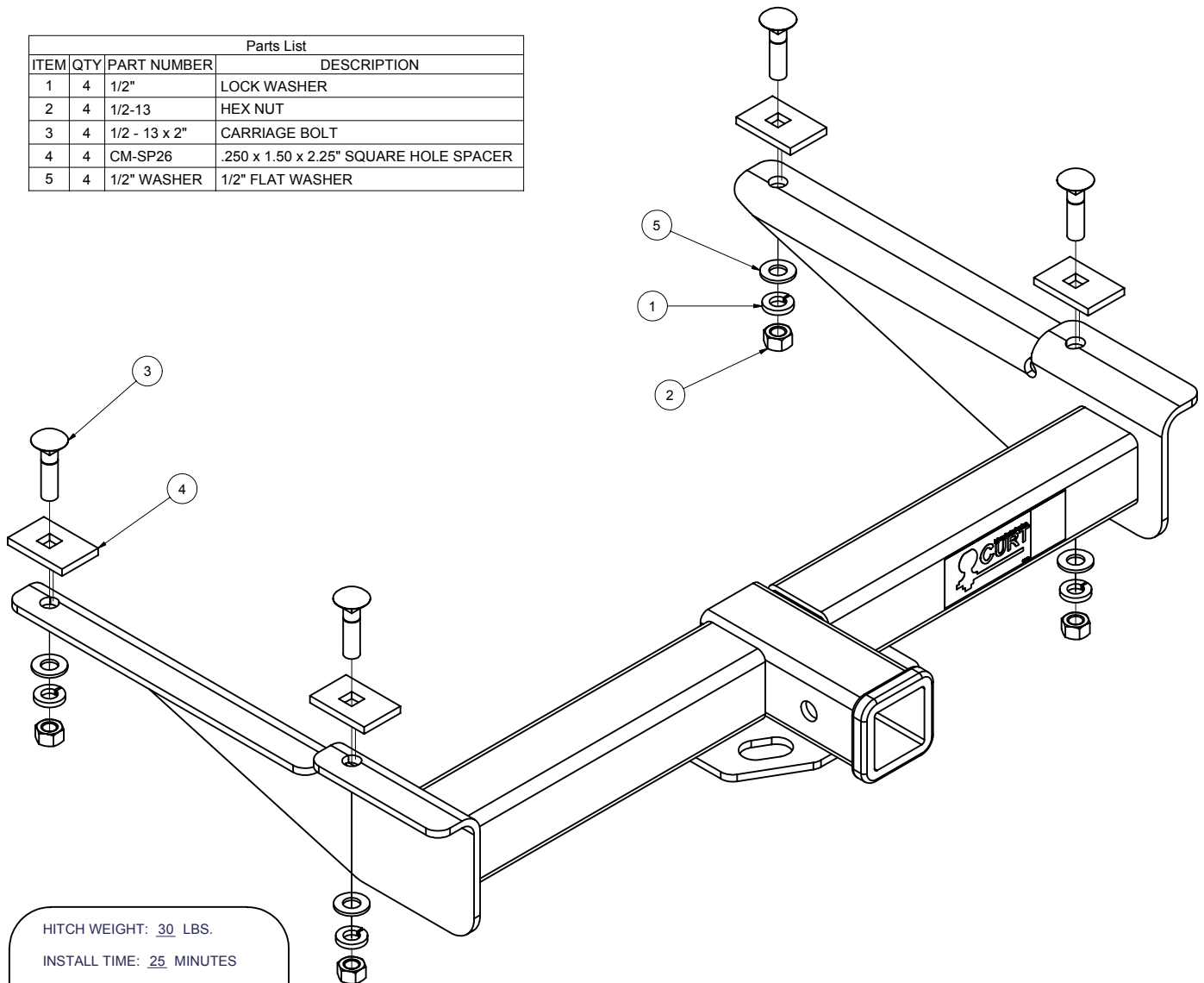


GROSS LOAD CAPACITY WHEN USED AS A WEIGHT CARRYING HITCH: 5,000 LBS. TRAILER WEIGHT & 500 LBS. TONGUE WEIGHT.
*****DO NOT EXCEED VEHICLE MANUFACTURER'S RECOMMENDED TOWING CAPACITY.*****

Parts List				
ITEM	QTY	PART NUMBER	DESCRIPTION	
1	4	1/2"	LOCK WASHER	
2	4	1/2-13	HEX NUT	
3	4	1/2 - 13 x 2"	CARRIAGE BOLT	
4	4	CM-SP26	.250 x 1.50 x 2.25" SQUARE HOLE SPACER	
5	4	1/2" WASHER	1/2" FLAT WASHER	



HITCH WEIGHT: 30 LBS.

INSTALL TIME: 25 MINUTES

INSTALL NOTES:

- NO DRILLING REQUIRED
- BUMPER BRACKET MODIFICATION REQUIRED FOR STEP BUMPER

INSTALLATION STEPS

- 1) Place carriage bolts in spacers and set in place on frame rails.
- 2) Raise hitch into position and fasten to vehicle using the supplied flange nuts.
- 3) Torque all 1/2" flange nuts to 75 lb-ft.

PERIODICALLY CHECK THIS RECEIVER HITCH TO ENSURE THAT ALL FASTENERS ARE TIGHT AND THAT ALL STRUCTURAL COMPONENTS ARE SOUND.