



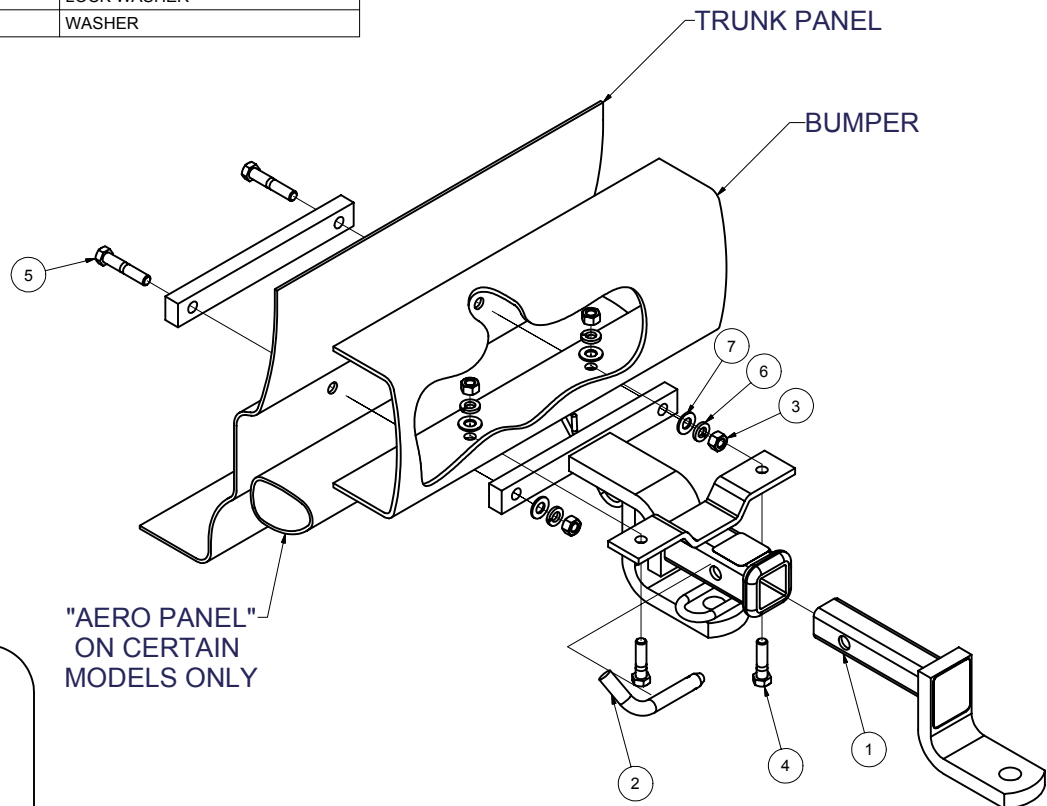
10/30/06

11712

77-91 PORSCHE 924 & 944

GROSS LOAD CAPACITY WHEN USED AS A WEIGHT CARRYING HITCH: 1000 LBS. TRAILER WEIGHT & 100 LBS. TONGUE WEIGHT.
*****DO NOT EXCEED VEHICLE MANUFACTURER'S RECOMMENDED TOWING CAPACITY.*****

Parts List			
ITEM	QTY	PART NUMBER	DESCRIPTION
1	1	D-55001	1 1/4" CURT BALL MOUNT
2	1	F-4	1/2" DIA. PIN & CLIP
3	4	3/8 - 16	HEX NUT
4	2	3/8-16 x 1 1/2	HEX BOLT
5	2	3/8-16 x 2.00	HEX BOLT
6	4	3/8"	LOCK WASHER
7	4	3/8"	WASHER

HITCH WEIGHT: 11.5 LBS.INSTALL TIME: 30 MINUTES

INSTALL NOTES:

**DRILLING
REQUIRED**

"AERO PANEL"
ON CERTAIN
MODELS ONLY

INSTALLATION STEPS

1. Remove all material from the tire well that may get damaged from drilling.
2. Position hitch under rear of car and against the rear panel, if car has the "AERO PANEL" the hitch will pass over it.
3. Center the hitch and use as a template to mark and drill holes in the trunk and bumper.
4. Being sure to use backing plate on the inside of the trunk, install the 3/8 x 2" hardware through the trunk backing plate and hitch as shown. Install washers and 3/8" nuts but do not tighten.
5. Install 3/8 x 1 1/2" bolts up through the hitch and bumper and install 3/8" washers and nuts to these bolts as well.
6. Torque all hardware to the following specifications: 3/8" = 30 lb-ft

**PERIODICALLY CHECK THIS RECEIVER HITCH TO ENSURE THAT ALL FASTENERS
ARE TIGHT AND THAT ALL STRUCTURAL COMPONENTS ARE SOUND.**

Curt Manufacturing Inc., warrants this product to be free of defects in material and/or workmanship at the time of retail purchase by the original purchaser. If the product is found to be defective, Curt Manufacturing Inc., may repair or replace the product, at their option, when the product is returned, prepaid, with proof of purchase. Alteration to, misuse of, or improper installation of this product voids the warranty. Curt Manufacturing Inc.'s liability is limited to repair or replacement of products found to be defective, and specifically excludes liability for incidental or consequential loss or damage.